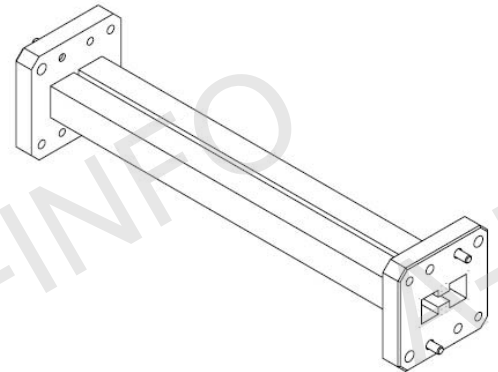
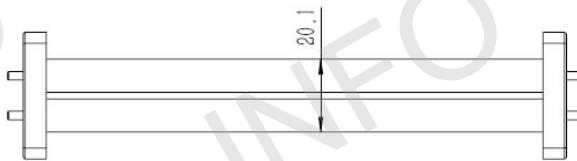
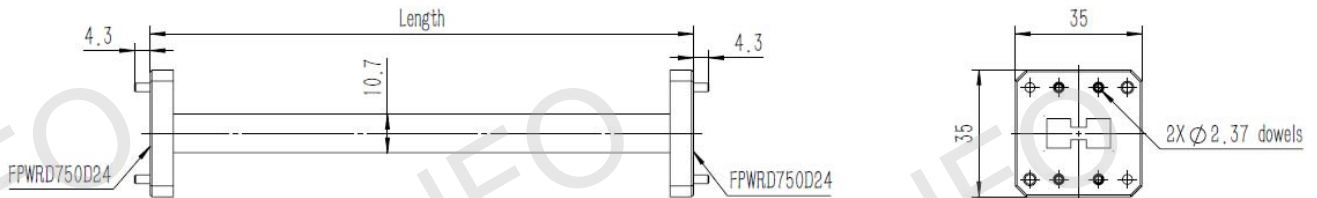


Technical Specification



EIA WRD	WRD750
Frequency Range(GHz)	7.5 – 18.0
Insertion Loss(dB)	0.2 Max.
VSWR	1.15:1 Max.
Flange	FPWRD750D24
Material	Cu
Length(mm)	150
Net Weight(Kg)	0.2 Around

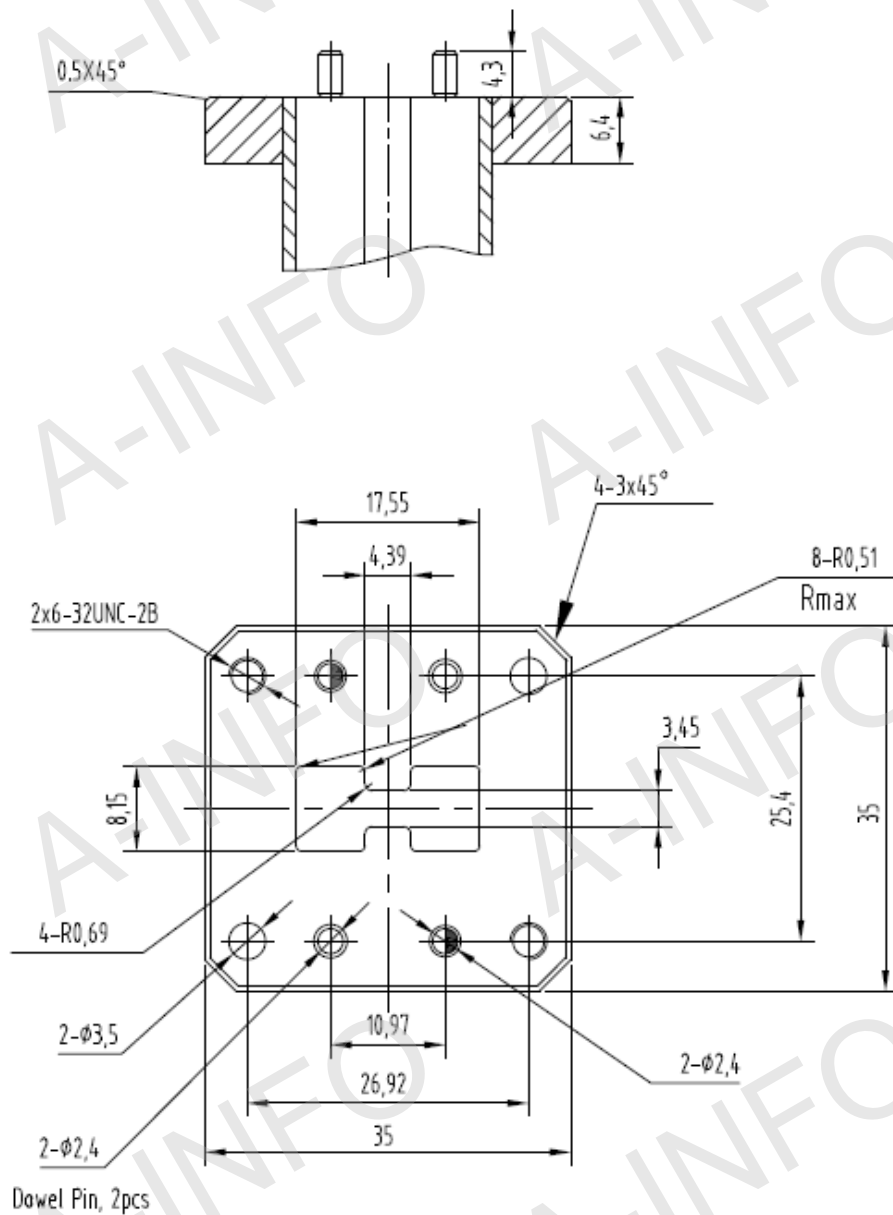
Outline Drawing (Size: mm)



Flange Drawing (Size: mm)

FPWRD750D24

(With two through mounting holes
and two screws holes)

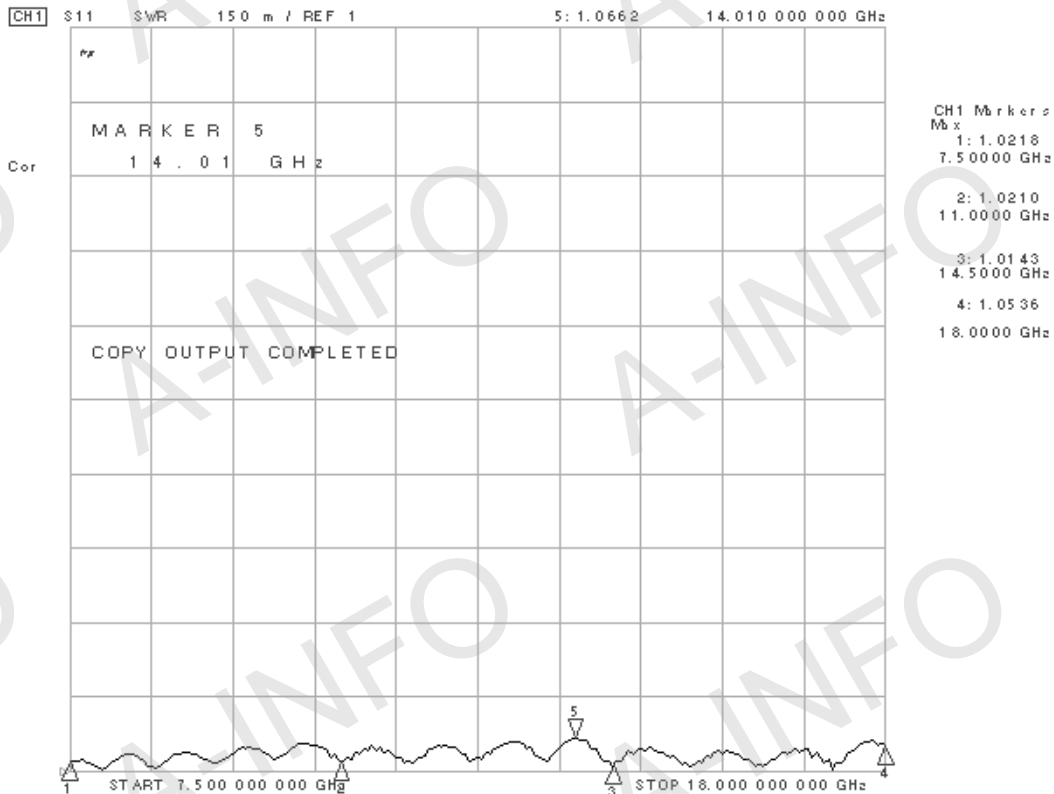


Test Results

I.L.



VSWR



AINFO Inc.

Page 3 of 3

China(Beijing):
China(Chengdu):
USA :

Tel: (+86) 10-6266-7326,
Tel: (+86) 28-8519-2786,
Tel: (+1) 949-639-9688,

(+86) 10-6266-7327
(+86) 28-8519-3044
(+1) 949-639-9608

Fax: (+86) 10-6266-7379
Fax: (+86) 28-8519-3068
Fax: (+1) 949-639-9670

Website: www.ainfoinc.com
Email: sales@ainfoinc.com